



### ■ Applications

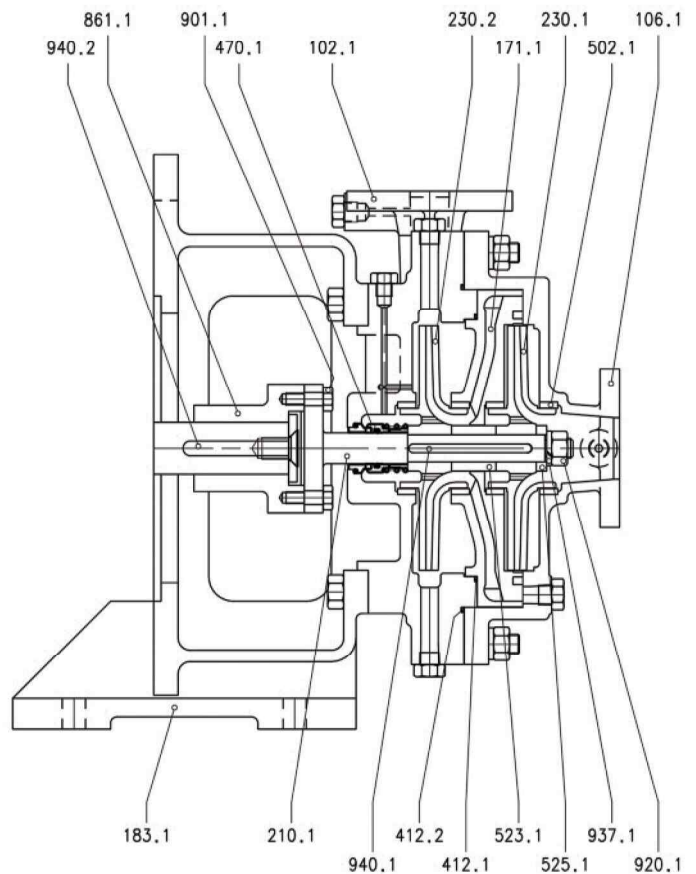
Feed pump for aux boiler & exhaust gas boiler  
compact size

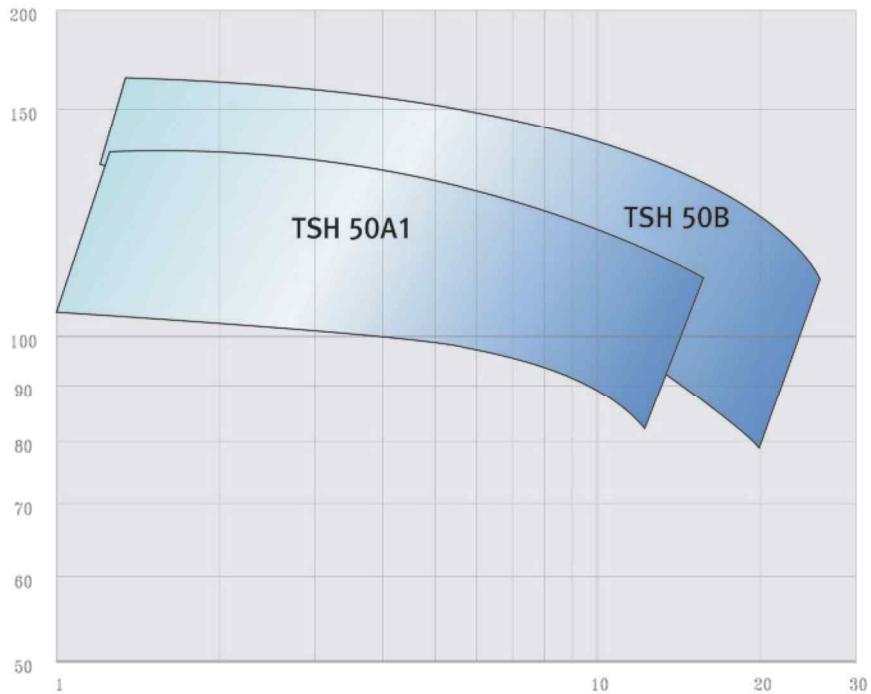
### ■ Principal Particulars

Item	Model	TSH50A1	TSH50B
Rotation		Clockwise	Viewed from drive end
Suction bore(mm)		50	50
Discharge bore(mm)		32	32
Stuffing box seal		Mechanical seal	

### ■ Standard Materials

Part No.	Name Of Part	MATERIAL			Q' TY
		NAME	KS	JIS	
102.1	VOLUTE CASING	CAST IRON	GC200	FC200	1
106.1	SUCTION CASING	CAST IRON	GC200	FC200	1
183.1	SUPPORT	CAST IRON	GC200	FC200	1
171.1	DIFFUSER	CAST IRON	GC200	FC200	1
210.1	SHAFT	STAINLESS STEEL	STS304	SUS304	1
230.1	IMPELLER	STAINLESS STEEL	SSC13	SCS13	1
230.2	IMPELLER(LAST)	STAINLESS STEEL	SSC13	SCS13	1
412.1	O-RING	EPDM			1
412.2	O-RING	EPDM			1
470.1	MECHANICAL SEAL				1
502.1	CASING WEAR RING	STAINLESS STEEL	SSC13	SCS13	4
523.1	SHAFT SLEEVE	STAINLESS STEEL	STS304	SUS304	1
525.1	SPACE SLEEVE	STAINLESS STEEL	STS304	SUS304	1
861.1	COUPLING HALF(MOTOR)	CARBON STEEL	SM45C	S45C	1
901.1	HEX. BOLT	STEEL	SS400	SS400	4
920.1	HEX. NUT	STAINLESS STEEL	STS304	SUS304	1
937.1	SPRING LOCK WASHER	STAINLESS STEEL	STS304	SUS304	1
940.1	IMPELLER KEY	STAINLESS STEEL	STS304	SUS304	1
940.2	COUPLING KEY	CARBON STEEL	SM45C	S45C	1





### ■ Stuffing Box Seal

The stuffing box is fitted with mechanical seal only Fitted with mech seal

Flushing water is led to the stuffing box from the discharge side of volute casing and Returned to the Impeller suction side after flushing mechanical seal.

### ■ Standard Accessories

Discharge pressure gauge	-----	1
Suction compound gauge	-----	1
Gauge board	-----	1
Gauge root valve	-----	1

### ■ Standard spare parts

Pump set of the following spare is supplied for ship Mechanical seal  
Complete set of rotating element cif required.

### ■ Dimensions For TSH(50A1, 50B)

