

# SDF-V

## Vertical Mixed Flow Pumps

입축 사류 펌프



### 적용분야 / Applications

01. 일반산업, 각종공장 : 취수, 송수, 배수
  02. 화력발전소 : 냉각수용
  03. 제철소 : 순환, 배수, 스케일 피트용
  04. 하수도 : 유입, 방류
  05. 상수도 : 취수, 송수
  06. 농업 : 양수, 배수
  07. 기타 : 도크 배수, 하천 배수
01. General industries/factory : For Water intake, Supply, Drainage
  02. Thermal power plant : For Cooling water
  03. Ironworks : For Circulation, Drainage, Scale pit
  04. Sewage system : For Water influent, Effluent
  05. Water works : For Water intake, Supply
  06. Agriculture : For Water pumping, Water supply
  07. Others : For Drainage of dock, Drainage of river

### 설계 및 구조적 특징 / Design and Construction features

- |  |   |
|--|---|
| <ol style="list-style-type: none"> <li>01. 설치방법 : 1상식 및 2상식</li> <li>02. 회전방법 : 구동기에서 보았을 때 우회전</li> <li>03. 토출플랜지 : KS 10kg/cm<sup>2</sup>, FF</li> <li>04. 설치장소 : 옥내 및 옥외</li> <li>05. 슬리브 베어링 : 고무 베어링(물 윤활)<br/>청동(그리스 윤활)</li> <li>06. 스ラスト 베어링 : 볼 및 롤러 베어링(오일 윤활)</li> <li>07. 임펠러 : 3차원 깃을 가진 OPEN 및 SEMI OPEN형</li> </ol> | <ol style="list-style-type: none"> <li>01. Installation : It has a various installation method to meet customer's requirement</li> <li>02. Rotation : C.W when viewed from driver</li> <li>03. Flange Rating : KS 10kg/cm<sup>2</sup>, FF</li> <li>04. Installation place : Indoor and Outdoor</li> <li>05. Sleeve bearing : Rubber(water lubrication),<br/>Bronze(grease lubrication)</li> <li>06. Thrust bearing : Ball or Roller bearing(oil lubrication)</li> <li>07. Impeller : Open or semi open type having blade of 3Dimension</li> </ol> |
|--|---|

### 사양 범위 / Operating Data

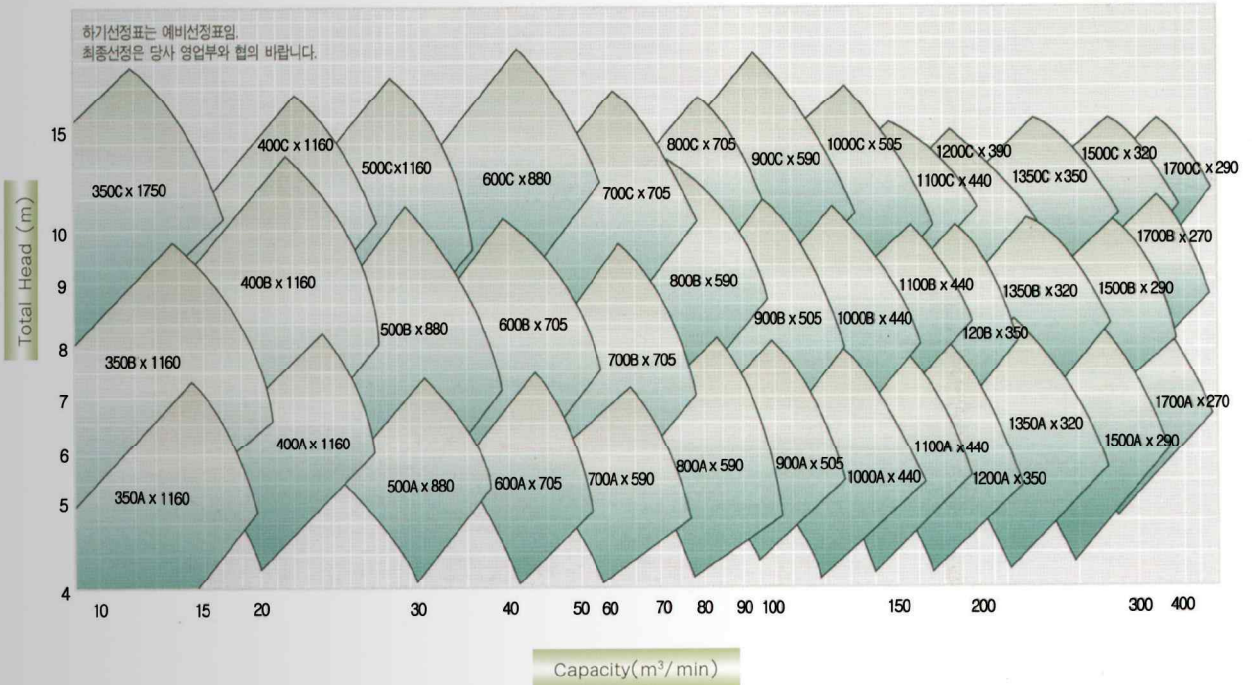
- |   |   |
|---|---|
| <ol style="list-style-type: none"> <li>01. 전양정 : 4~15m</li> <li>02. 토출량 : 10~1200m<sup>3</sup>/min</li> <li>03. 온도 : 0~40℃</li> <li>04. 구경 : 350mm~3000mm</li> </ol> <p>※ 상기 사양범위를 초과하는 대형 펌프도 제작합니다.</p> | <ol style="list-style-type: none"> <li>01. Total Head : 4~15m</li> <li>02. Discharge flow : 10~1200m<sup>3</sup>/min</li> <li>03. Temperature : 0~40℃</li> <li>04. Bore : 350mm~3000mm</li> </ol> <p>* The out of the above range can be supplied according to customer's order placement</p> |
|---|---|

### 형식 표시 방법 / Type nomenclature

- ▶ 시리즈(Series) \_\_\_\_\_  
 ▶ 사이즈/토출구경(Size/Nominal dia. of discharge nozzle) \_\_\_\_\_  
 ▶ 양정 등급(Head ratings) : A,B,C..... \_\_\_\_\_

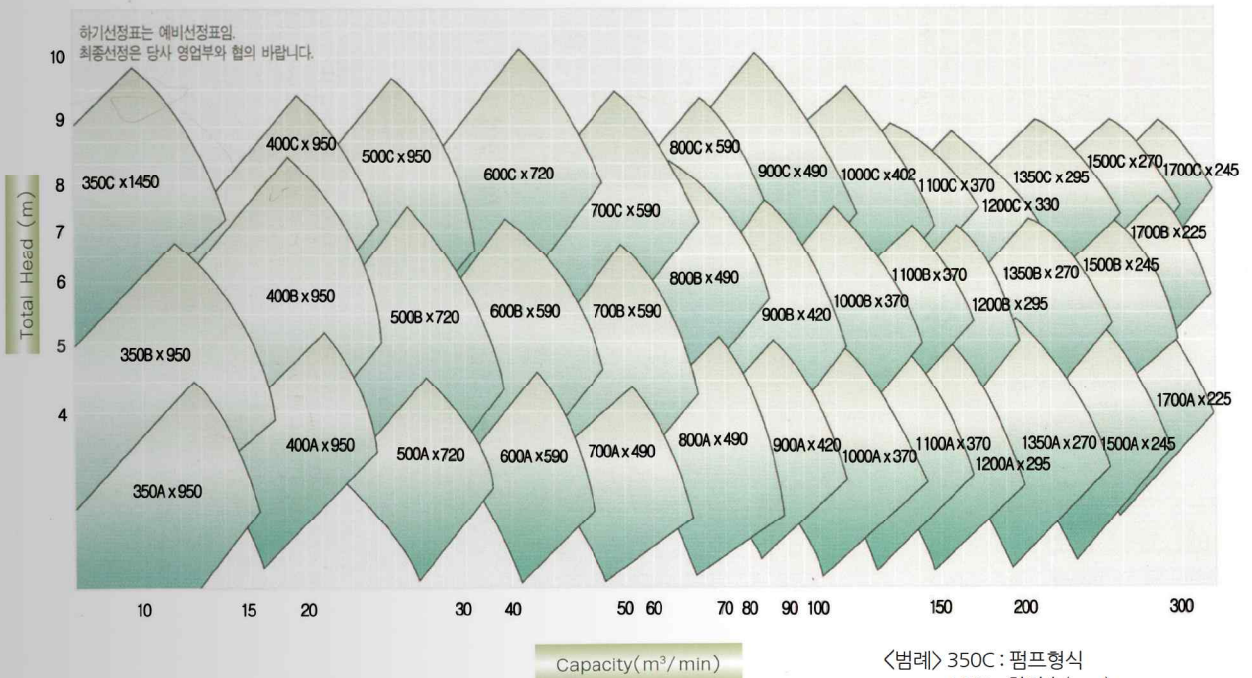
**SDF-V 500A**

선정표(60HZ에서) / Performance selection chart(60Hz)



\* The out of the above range can be supplied according to customer's order placement.

선정표(50HZ에서) / Performance selection chart(50Hz)

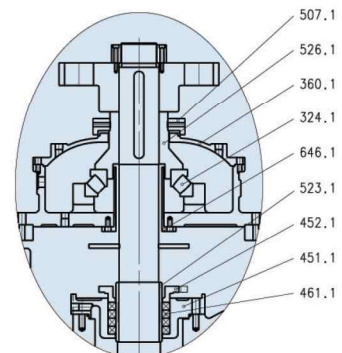
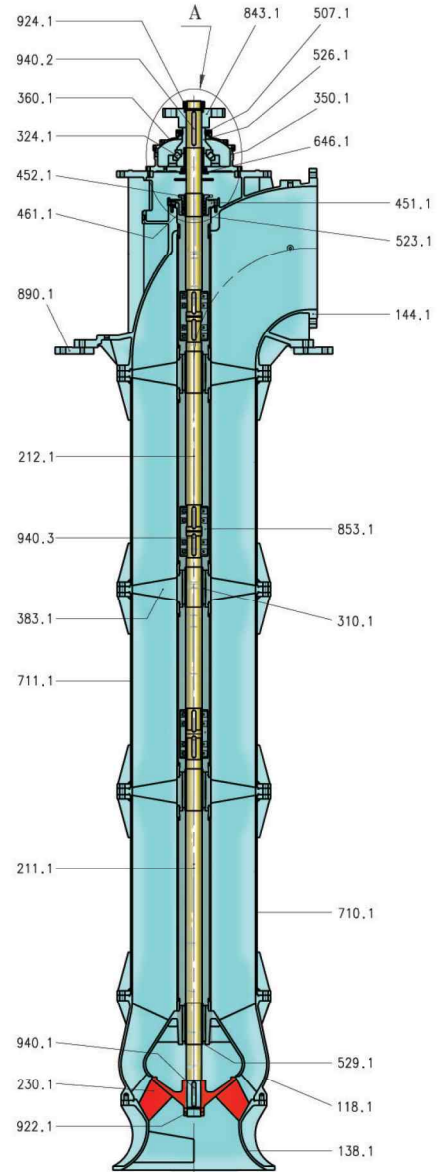


\* The out of the above range can be supplied according to customer's order placement.

# SDF-V

## 조립 단면도 / Sectional drawing

Part NO.	PART NAME	MATERIAL	QTY
118.1	GUIDE CASING	GC 200	1
138.1	SUCTION BELL	GC 200	1
144.4	DISCHARGE ELBOW	GC 200	1
211.1	SHAFT(LOWER)	STS 304	1
212.1	SHAFT(UPPER)	STS 304	1
230.1	IMPELLER VANE	CAC 406	1
310.1	SLEEVE BEARING	POLYESTER COMPOSITE	2
324.1	BEARING	STB 2	1
350.1	BEARING HOUSING	GC 200	1
360.1	BEARING COVER	GC 200	1
383.1	RADIAL BEARING HOUSING	SC 450 + SS 400	1
451.1	STUFFING BOX HOUSING	GC 200	1
452.1	PACKING GLAND	GC 200	1
461.1	GLAND PACKING		1ST
507.1	DEFLECTOR	GC 200	1
523.1	PACKING SLEEVE	SSC 13	1
526.1	BEARING SEAT	SC 450	1
529.1	BEARING SLEEVE	SSC 13	2
646.1	OIL RETAINING SLEEVE	SS 400	1
710.1	COLUMN PIPE(LOWER)	SS 400	1
711.1	COLUMN PIPE(UPPER)	SS 400	1
843.1	COUPLING(PUMP)	GC 200	1
853.1	MUFF COUPLING	SSC 13	1
890.1	BASE PLATE	SS 400	1
922.1	IMPELLER NUT	STS 304	1
924.1	COUPLING NUT	SM 45C	1
940.1	IMPELLER KEY	STS 304	1
940.2	COUPLING KEY	SM 45C	1
940.3	MUFF COUPLING KEY	STS 304	2

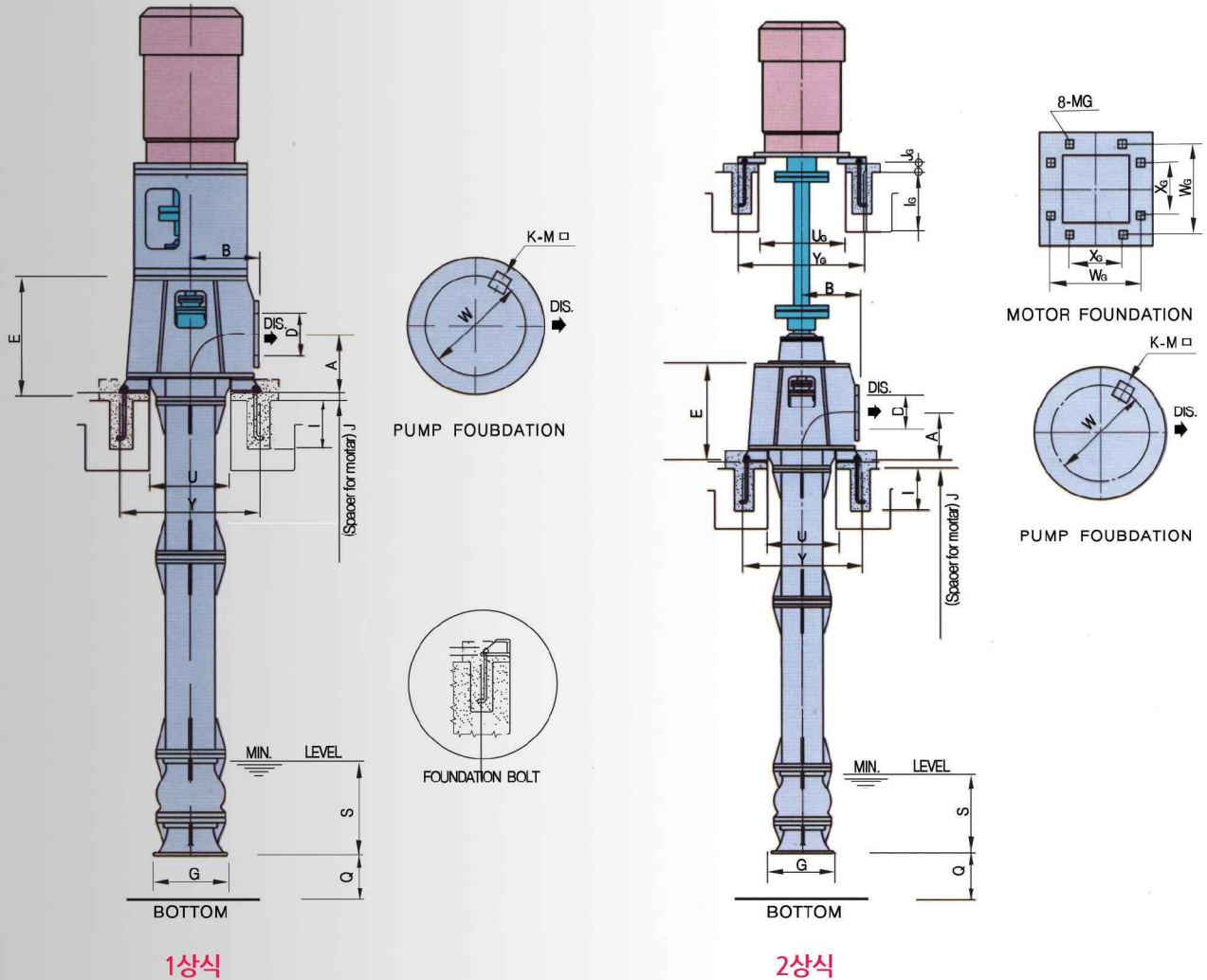


상세도 "A"

※ SHAFT PROTECT.PIPE IS STANDARD FOR ONLY SEWAGE SYSTEM  
(INFLUENT & EFFLUENT)



외형치수도 / Outline dimensions



TYPE	BORE DIS.	PUMP (MM)						BASE AND FOUNDATION (MM)						MOTOR FOUNDATION (MM)						
		A	B	E	G	Q(min)	S(min)	Y	U	W	K-M	I	J	UG	WG	XG	YG	MG	JG	IG
SDF-V350	Ø 350	450	550	800	550	400	800	1170	700	1100	4-190	500	30	1200	1500	800	1570	130	30	315
SDF-V400	Ø 400	500	600	850	600	450	900	1230	750	1150	4-190	630	30	1300	1600	850	1670	130	30	315
SDF-V450	Ø 450	530	650	900	680	500	1000	1380	850	1300	6-190	630	40	1400	1700	900	1770	130	40	315
SDF-V500	Ø 500	570	700	950	750	550	1100	1480	950	1400	6-190	630	40	1500	1800	950	1870	130	40	315
SDF-V600	Ø 600	620	700	1220	850	650	1250	1700	1100	1600	8-220	800	40	1700	2100	1000	2170	150	40	400
SDF V700	Ø 700	730	850	1250	1000	750	1500	1800	1200	1700	8 220	800	50	1900	2300	1200	2370	150	50	400
SDF-V800	Ø 800	815	950	1425	1100	850	1650	1900	1300	1800	8-220	800	50	2000	2500	1400	2600	190	50	630
SDF-V900	Ø 900	880	1050	1450	1250	950	1850	2100	1500	2000	8-260	1000	50	2200	2700	1600	2800	190	50	630
SDF-V1000	Ø 1000	930	1150	1550	1450	1100	2150	2350	1700	2250	8-260	1000	50	2400	2900	1800	3000	190	50	630
SDF-V1200	Ø 1200	900	1150	1600	1650	1300	2650	2400	1800	2350	12-220	1000	50	2500	1800	600	3000	200	50	630
SDF-V1350	Ø 1350	1130	1100	1895	1750	1450	3050	2500	2100	2350	16-220	1000	50	2600	2000	600	3100	200	50	900
SDF-V1500	Ø 1500	1550	1350	2400	1800	1600	3650	2700	2100	2500	16-260	1000	50	2700	2100	700	3300	220	50	900

• 치수는 참고용임.