

### ■ Application

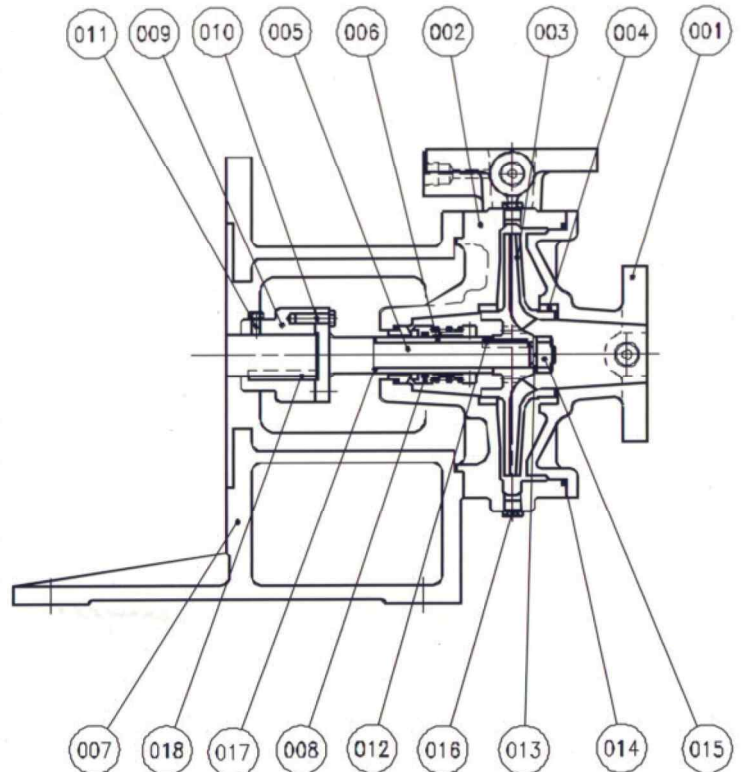
- Fresh water Pump
- Refrigerator Cooling Pump
- Miscellaneous Cooling pump
- Others

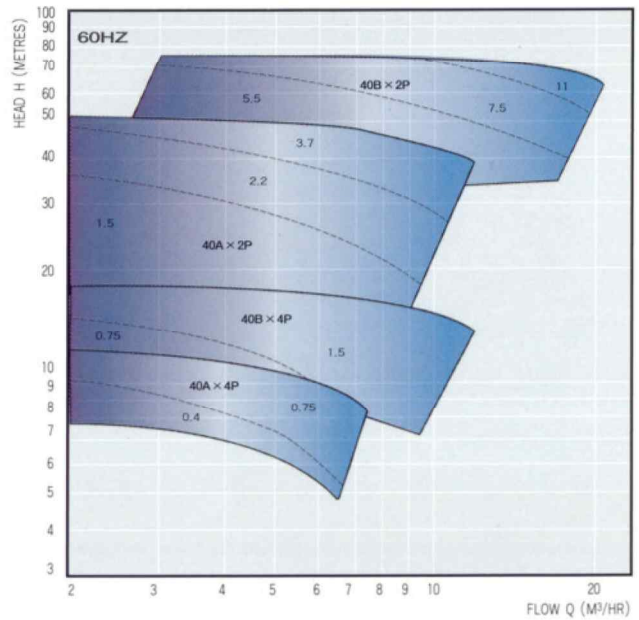
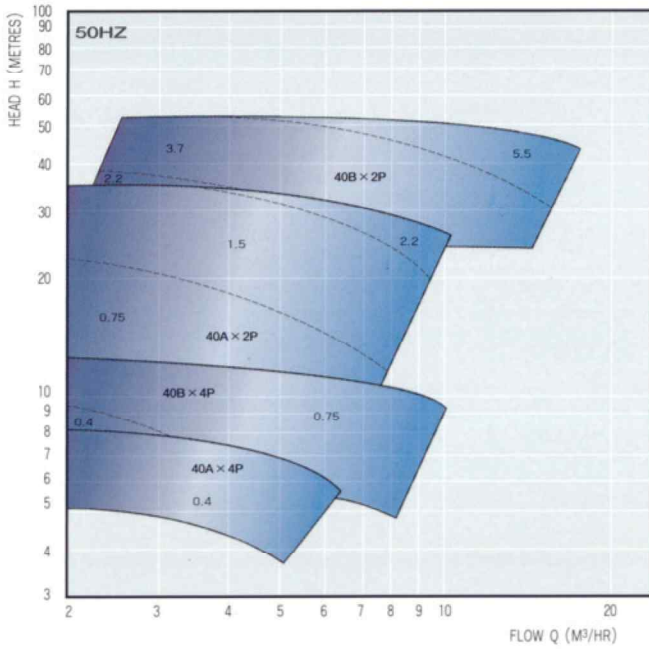
### ■ Principal Particulars

Item	Model	SHC 40A	SHC 40B
Rotation		Clockwise viewed from driver end	
Suction bore	(mm)	40	40
Discharge bore	(mm)	32	32
Service life	(hr)	Abv. 20,000hr	
Stuffing box seal		mechanical seal	
Weight	GC(BC)	(kg)	19(23)      25(29)

### ■ Standard Materials

Part No.	Name Of Part	For Fresh Water		REQ. NO. FOR 1 PUMP
		Name	KS	
001	SUCTON CASING	BRONZE	BC6	1
002	VOLUGE CASING	BRONZE	BC6	1
003	IMPELLER	PHOSPHORE BONZE	PBC2	1
004	WEARING RING	BRONZE	BC6	2
005	SHAFT	STAINLESS STEEL	STS304	1
006	SHAFT SLEEVE	STAINLESS STEEL	STS304	1
007	MOTOR SUPPORT	CAST IRON	GC200	1
008	MECHANICAL SEAL			1
009	MOTOR COUPLING	CARBON STEEL	SM45C	1
010	COUPLING BOLT	STEEL	SS41	4
011	LOCK BOLT	STEEL	SS41	1
012	IMPELLER KEY	STAINLESS STEEL	STS304	1
013	IMPELLER WASHER	STAINLESS STEEL	STS304	1
014	O-RING	EPDM		1
015	IMPELLER NUT	STAINLESS STEEL	STS304	1
016	DRAN PLUG		C3604	1
017	O-RING	EPDM		1
018	COUPLIN KEY	CARBON STEEL	SM45C	1





### ■ Stuffing Box Seal

The stuffing box is fitted with mechanical only.

#### Fitted with gland packing

Flushing water is led to the stuffing box from the discharge side through the passage between casing and wearing and returned to the suction side after flushing mechanical seal.

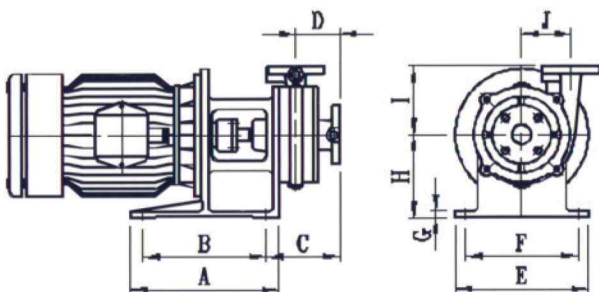
### ■ Standard Accessories

- Discharge pressure gauge ..... 1
- Suction compound gauge ..... 1
- Gauge board ..... 1
- Gauge root valve ..... 1

### ■ Standard Spare Parts

- 1 pump set of the following spare is supplied for 1 ship.
- Mechanical seal
- Complete set of rotating element (if required)

### ■ Dimension for SHC



MODEL	Dimensions (mm)									
	A	B	C	D	E	F	G	H	I	J
SHC 40A	300	250	150	90	270	230	13	175	140	100
SHC 40B	400	350	172	100	290	250	20	225	150	110